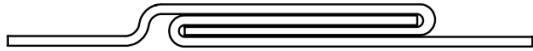
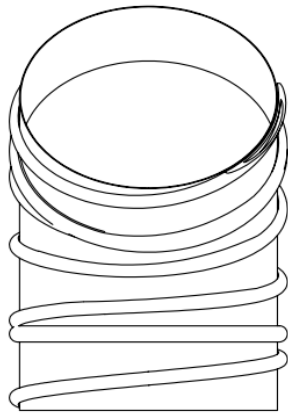
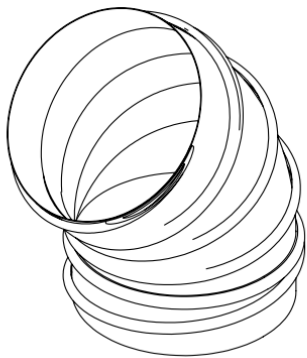


# SPIRAL ELBOW 45 DEGREE SHORT RADIUS

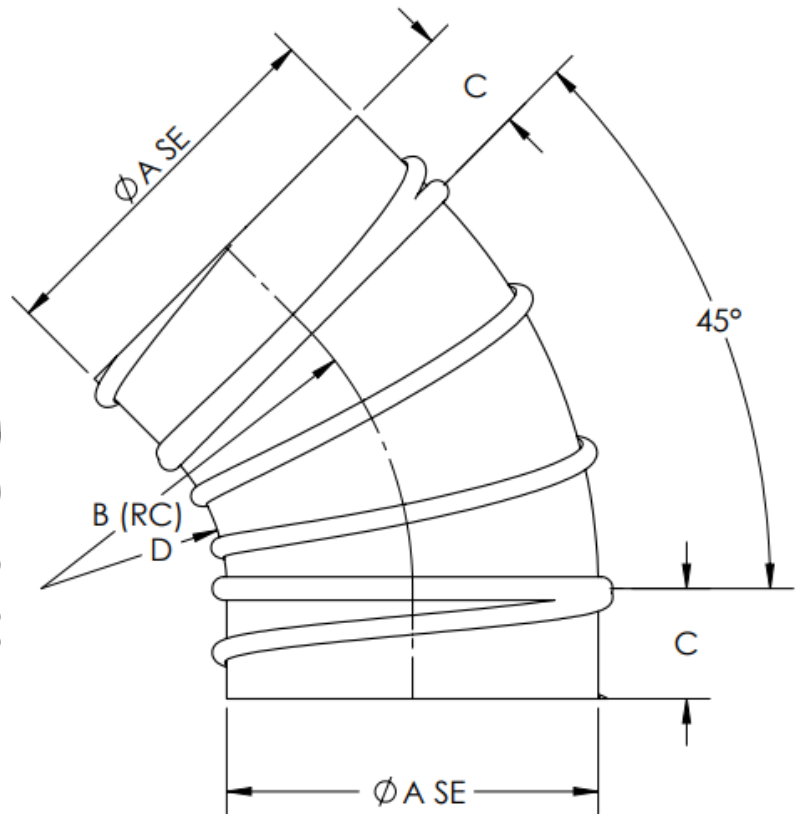
G90 GALVANIZED



4-PLY STAPLE JOINT ASSEMBLY



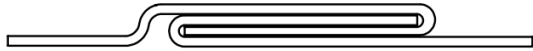
**STEELBOW**



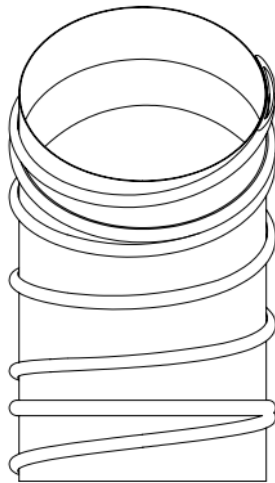
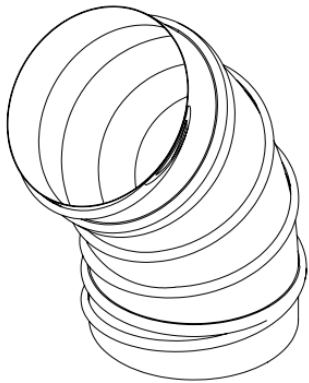
DIAMETER A	CENTER RADIUS B	COLLAR HEIGHT C	THROAT RADIUS D	GAGE	GALVANIZED
4"	4"	1 3/4	2	26GA	G90
5"	5"	2 1/16	2 1/2	26GA	G90
6"	6"	2 1/8	3	26GA	G90
7"	7"	2 5/16	3 1/2	26GA	G90
8"	8"	2 1/2	4	26GA	G90
9"	9"	2 3/4	4 1/2	26GA	G90
10"	10"	2 15/16	5	26GA	G90
12"	12"	3 3/8	6	26GA	G90
14"	14"	3 3/4	7	26GA	G90
16"	16"	4 1/8	8	24GA	G90
18"	18"	4 1/2	9	24GA	G90

# SPIRAL ELBOW 45 DEGREE LONG RADIUS

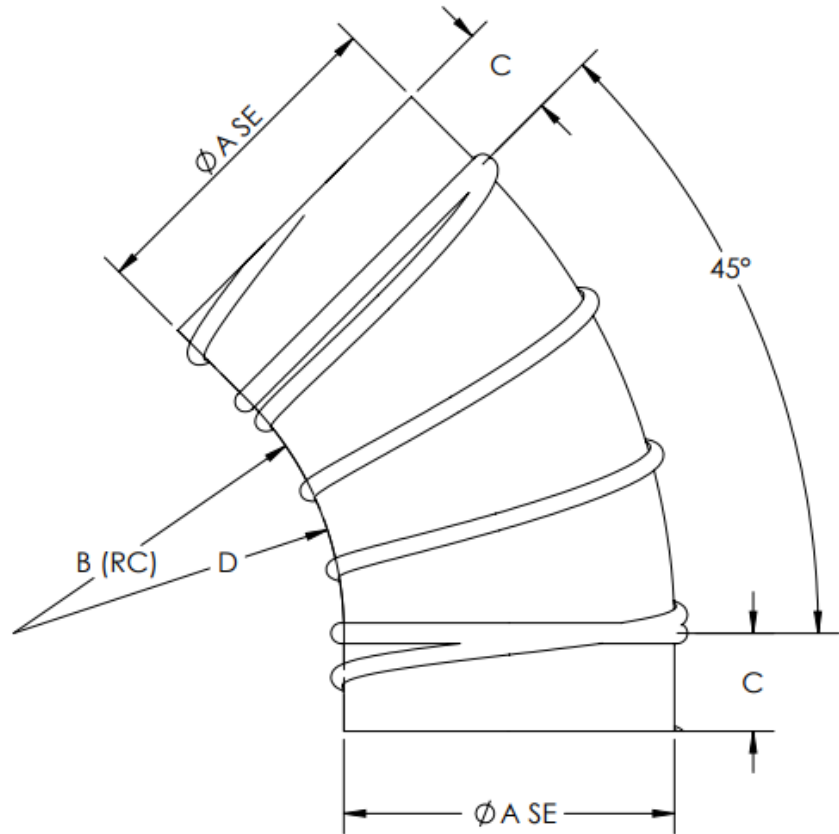
G90 GALVANIZED



4-PLY STAPLE JOINT ASSEMBLY



**STEELBOW**



DIAMETER A	CENTER RADIUS B	COLLAR HEIGHT C	THROAT RADIUS D	GAGE	GALVANIZED
4"	6	1 3/4	4"	26GA	G 90
5"	7 1/2	2 1/16	5"	26GA	G 90
6"	9	2 1/8	6"	26GA	G 90
7"	10,5	2 5/16	7"	26GA	G 90
8"	12	2 1/2	8"	26GA	G 90
9"	13,5	2 3/4	9"	26GA	G 90
10"	15	2 15/16	10"	26GA	G 90
12"	18	3 3/8	12"	26GA	G 90
14"	21	3 3/4	14"	26GA	G 90
16"	24	4 1/8	16"	24GA	G 90
18"	27	4 1/2	18"	24GA	G 90